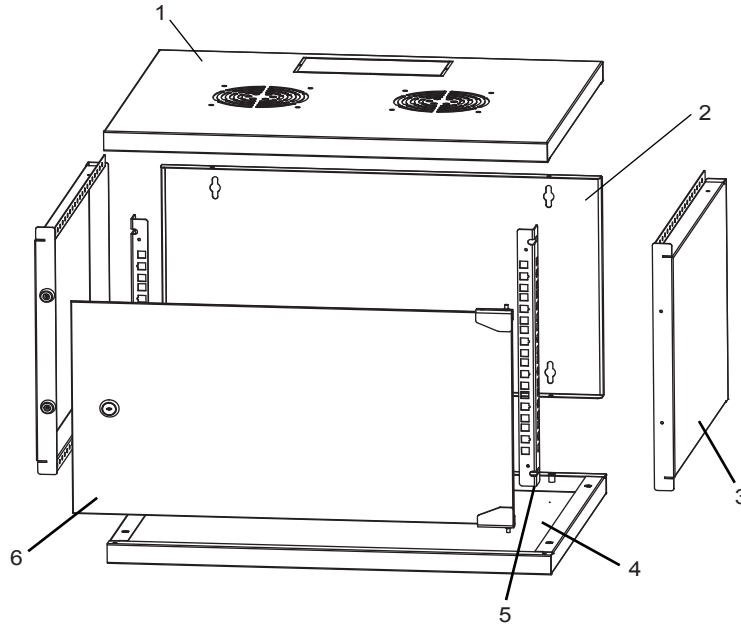


R6UD/R9UD Wall-mounted Cabinet Assembly Manual



Packaging List

- | | |
|-----------------------|-----------------------------------|
| 1. Top panel - 1 pc | 4. Bottom panel - 1 pc |
| 2. Rear panel - 1 pc | 5. Vertical mounting rail - 2 pcs |
| 3. Side panel - 2 pcs | 6. Front door - 1 pc |

Item List of Accessories Packaging

Assembly Hardwares Kits:

- | | |
|--------------------------------|--------------------------------|
| • M5*12 screw - 12pcs | • Front door hinge - 2 sets |
| • M5 self-tapping screw - 4pcs | • Rubber plug - 2 pcs |
| • Front door lock - 1 set | • M6*50 expansion bolt - 4 pcs |

User Hardwares Kits:

U Capacity $\leq 12U$, 12 sets cage nuts.(M6*12 screw & M6 cage nut)

Installation of Accesaries:



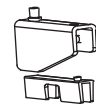
M5*12 screw



M5*8
self-tapping screw



Front door lock



Front door hinge



Rubber plug



M6*50
expansion bolt



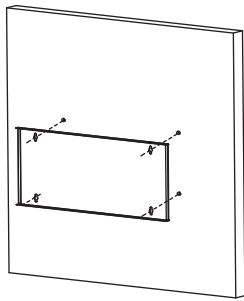
M6*12 screw



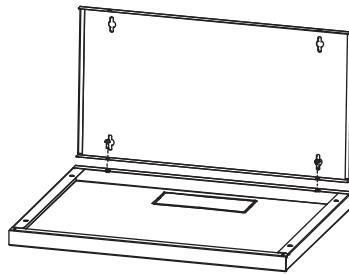
M6 cage nut

Tips: Check the quantities of the items before assembly

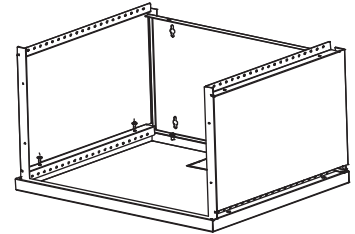
Installation



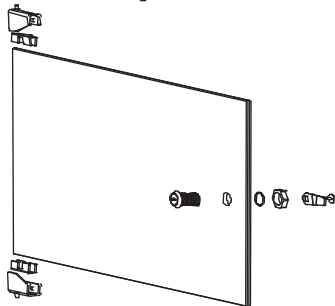
Step 1



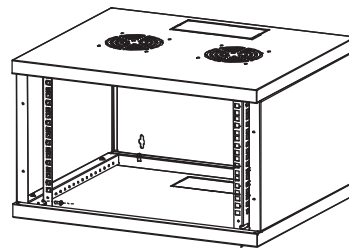
Step 2



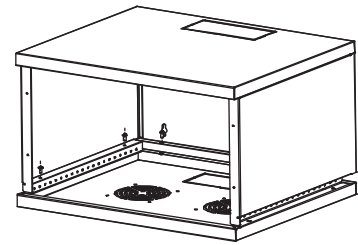
Step 3



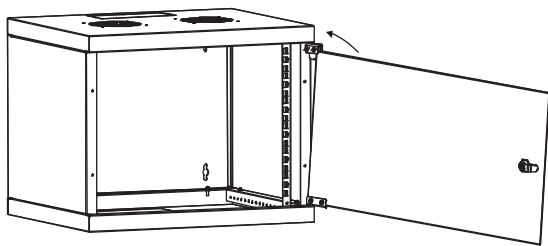
Step 6



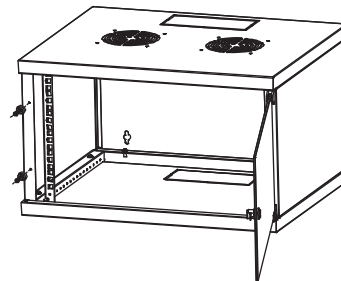
Step 5



Step 4



Step 7



Step 8

Step 1

At first use the rear panel of the cabinet as a template and mark it by putting it on the position where you will attach it to the wall. Drill and mount the dowels.

Step 2

Mount the rear panel on the bottom panel with two pieces of M5x12 screws each.

Step 3

Mount the side panels on the bottom panel with two pieces of M5x12 screws each.

Step 4

Mount the top panel to the rear and side panels with two pieces of M5x12 screws each.

Step 5

Mount the vertical mounting rail to the side panels with two pieces of M5x8 self-tapping screws each.

Step 6

Attach the hinges and lock to the glass door in a way so that the gaskets will stand in the middle. Tighten the screws.

Step 7

Loosen the upper hinge and place the upper and lower hinges to the frame then tighten it again.

Step 8

Take the rubber plugs and put them in the holes of the side panel which is on the lock side.