

INNOVA BOSS

TFORCE TECHNOLOGY ANTENNA



Indoor intelligent antenna with Plug & Play installation

- Intelligent BOSS system enhanced with the TForce technology
- Plug & Play: just connect the antenna and tune the channels
- Power supply with a USB PSU or with the TV



BOSS TECH



ULTRA HD 4K



USB POWER
SUPPLY



PLUG & PLAY

DESCRIPTION

INNOVA BOSS is an antenna specially designed for reception of DTT signals indoors.

It is an omnidirectional and intelligent antenna, so the installation time is significantly minimised: Plug & Play.

In addition, the intelligent mode can be activated using a conventional smartphone PSU or with the USB port of the TV, making easier the installation process.

DISCOVER TFORCE TECHNOLOGY:

Televes has redefined the antenna concept. Until now, an antenna was just the reception component of a TV installation, which main features were gain and directivity. The introduction of an intelligent device like BOSS provides the antennas in this range with the capacity to receive very weak signals without the risk of being affected by very strong signals, and preventing fluctuations to affect the result: the **dynamic range** concept turns out to be the most outstanding among quality parameters.

The creation of a BOSS device using the TForce technology, which is based on MMIC components, is an extraordinary milestone in dynamic range optimization. The technology that once allowed the reception of lost signals from distant satellites is now allowing the enhancement of the coverage range in DTT installations.

Watch TForce video:
en.televes.com/tforce



MAIN FEATURES

The BOSSTech system **automatically controls the level of the received signal** (either very high or very low) to always provide optimal output level.

The new design using TForce technology makes this intelligent device even more versatile:



■ HIGH DYNAMIC RANGE:

It allows high-quality TV reception in a wide variety of critical situations, from areas where signals are very weak to installations with high reception levels.

■ DTT COVERAGE AREA ENHANCEMENT

■ A MORE STABLE RECEPTION:

Supports signal variations or fading without any impact on the TV installation.

	REF.	DESCRIPTION	EAN 13
	INNOVA BOSS		
LTE 790 READY	130240	INNOVA BOSS ANT. UHF(C21-60) G 20dBi	8424450199176
LTE 700 READY	130220	INNOVA BOSS ANT. UHF (C21-48) G 20dBi	8424450199190
	INNOVA BOSS MIX		
LTE 790 READY	130340	INNOVA BOSS MIX V/U (C5-12/21-60) G17/20dBi	8424450199183
LTE 700 READY	130320	INNOVA BOSS MIX V/U (C5-12/21-48) G17/20dBi	8424450199206

INDOOR INTELLIGENT ANTENNA WITH PLUG & PLAY INSTALLATION



HIGHLIGHTS

■ Plug & play:

Easy and fast installation.

■ Multiple power supply options:

- Through the 5V USB port of the TV (USB-microUSB cable included).
- With a conventional USB power supply unit.
- Simply using a receiver (through the RF output connector).

■ Improved BIII response (MIX model):

The telescopic antennas improve BIII reception.

■ Low power consumption in intelligent mode

■ LTE Ready:

Designed to optimize LTE band rejection (cell phone interference) through electronic filtering. Multiple versions compliant with the 1st (LTE790) or 2nd (LTE700) Digital Dividend.

OTHER FEATURES

■ Discreet and elegant design.

■ Two operation modes:

In **intelligent** mode (with antenna feeding), BOSS provides automatic control to correct signal fluctuations and maintain optimal output signal level.

In **passive** mode, (without power supply) the signal goes through.

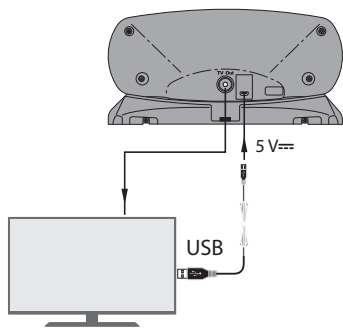
■ The electronics inside the antenna substantially reduces the interference caused by surrounding movements.

■ Thanks to be an omnidirectional antenna, it can be installed either in horizontal or in vertical position.

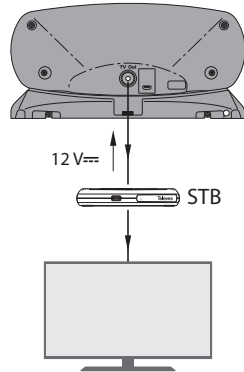
INNNOVA BOSS ANTENNA WITH TFORCE TECHNOLOGY

ANTENNA POWER SUPPLY OPTIONS

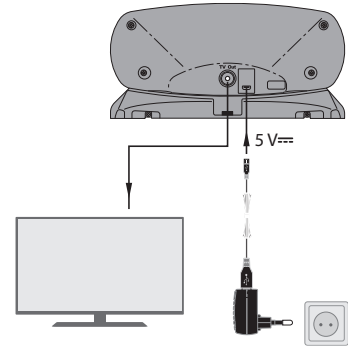
INTELLIGENT MODE



With the TV (USB port)

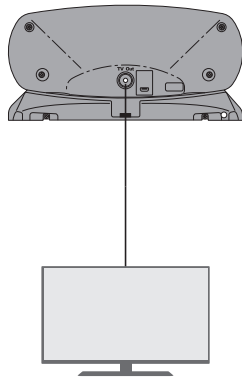


With the receiver (RF connector)



With USB power supply unit

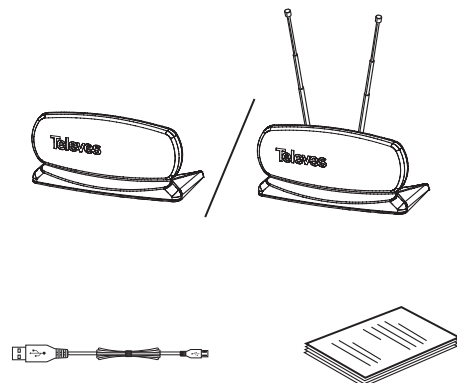
PASSIVE MODE



Without power supply

PACKAGE CONTENTS

- Antenna
- USB-microUSB power supply cable
- User manual



INDOOR INTELLIGENT ANTENNA WITH PLUG & PLAY INSTALLATION



INNOVA BOSS



INNOVA BOSS MIX

TECHNICAL SPECIFICATIONS

References		LTE790	130240	130340	
		LTE700	130220	130320	
Frequency bands	MHz	LTE790	470 - 790	174 - 230	470 - 790
		LTE700	470 - 694	174 - 230	470 - 694
Channels		LTE790	21-60	5-12	21-60
		LTE700	21-48	5-12	21-48
Gain	dBi		20*	17*	20*
Noise figure	dB		3	3,5	3
Power supply/ Consumption	USB	V/mA		5/60	
	Coax.			12/60	
Protection index	IP			20	
Weight	g			350	
Dimensions	mm	215x102x105		215 x 102 x 105 (telescopic antennas retracted)	
				215 x 405 x 105 (telescopic antennas extended)	

* Automatic regulation of the gain in the intelligent mode (with power supply).
Does not apply in passive mode.

DESCRIPTION

FRONTAL VIEW



REAR VIEW

