



OPTICAL TRANSMITTERS A 1GHz and 2.6 GHz

RO 88 AGC · RO 90 FI AGC

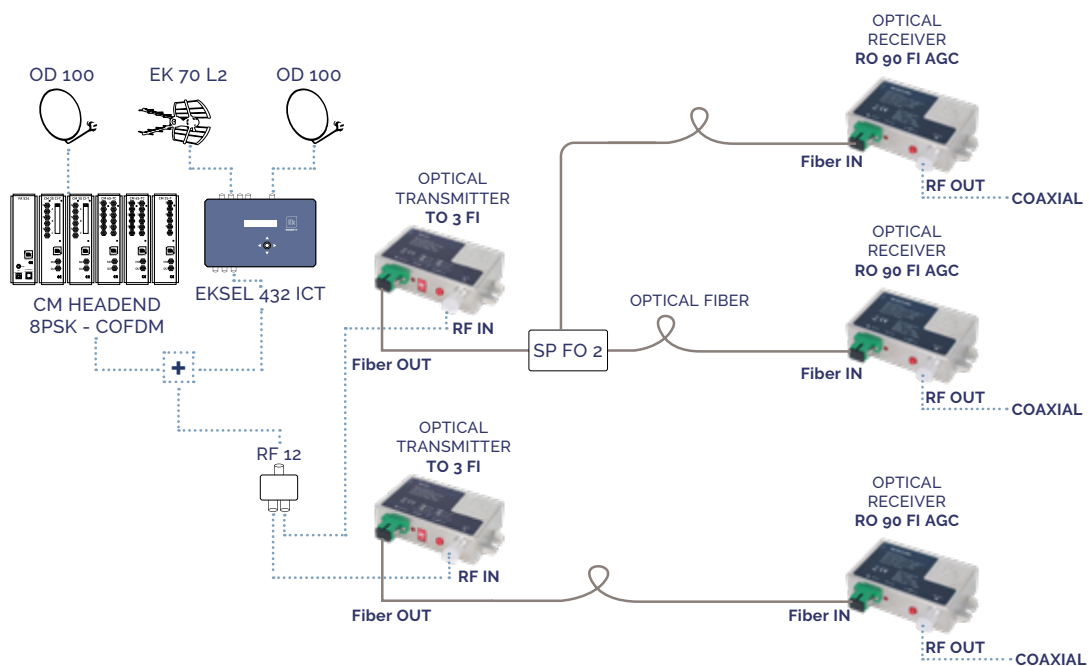
- ✓ It allows the reception of optical signal and its distribution in radiofrequency
- ✓ Automatic gain control



RO 88 AGC



RO 90 FI AGC



TECHNICAL TABLE

REFERENCE		RO 88 AGC	RO 90 FI AGC
Code		270002	270003
Optical input			
Wavelength	nm	1260-1620	1260-1620
Optical power	dBm	+2/-20 digital (≥ 36 dB) +2/-10 g/5000 analogical (CNR >45dB)	+3/-10 digital (≥ 36 dB) +2/-8 g/5000 analogical (CNR >45dB)
AGC range	dBm	0 / -12	2 / -7
Efficiency	A/W	$\geq 0,85/1310$ nm $\geq 0,9/1550$ nm	$\geq 0,9/1310$ nm $\geq 0,95/1550$ nm
Optical return loss	dB	>55	>50
Optical connector		SC / APC	SC / APC
RF Output			
Frequency range	MHz	47 - 862	47 - 2150
Flatness	dB	$\geq 0,75$	$\geq 1,5$
Output level	dB μ V	>80	>80
Regulation	dB	20	20
Return loss	dB	≥ 14	≥ 12
Connector		Tipo F	Tipo F
Voltage feeding	Vdc	12 (included)	12 (included)
Power consumption	W	1,9	2,9
Working temperature	°C	-20...+55	-20...+55