

UltraDish™ TP 21

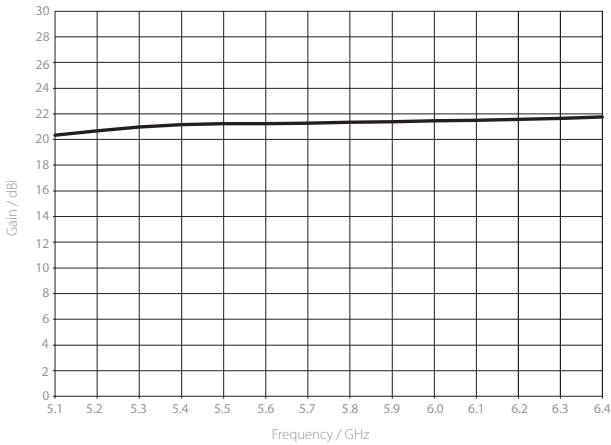
PARABOLIC DISH ANTENNA WITH TWISTPORT™ CONNECTOR

UltraDish™ TP 21 is designed for subscriber module applications. Minimized sidelobes, wide frequency bandwidth, and stable gain in both polarizations assure dependable performance. Antenna reflector is made of aluminium to ensure a low weight and uniform shape. Our proprietary TwistPort™ waveguide connector enables intuitive radio connection and replacement.

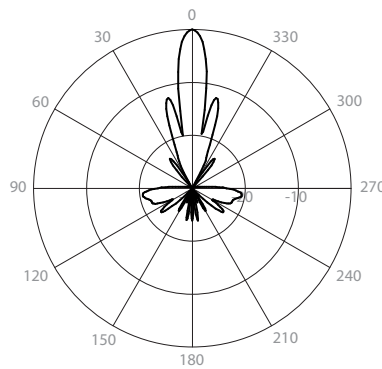
Massive mount with improved grip and a wide range of applicable pole diameters makes the deployment easy and versatile. Stainless hardware comes with black coating to prevent from seizing at the installation.



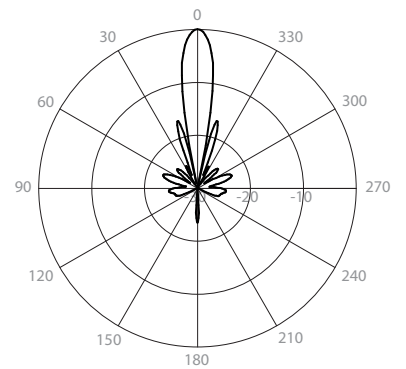
Gain H



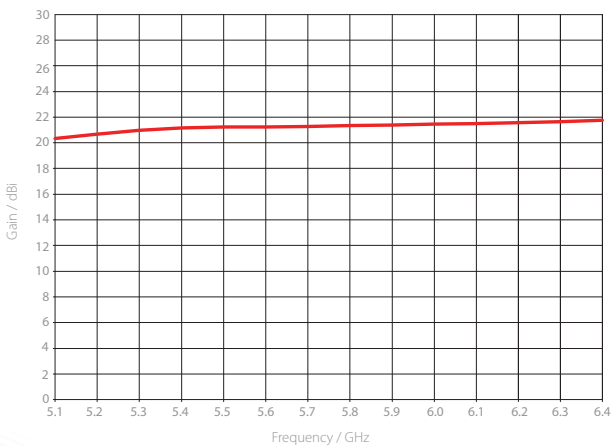
Azimuth Pattern H



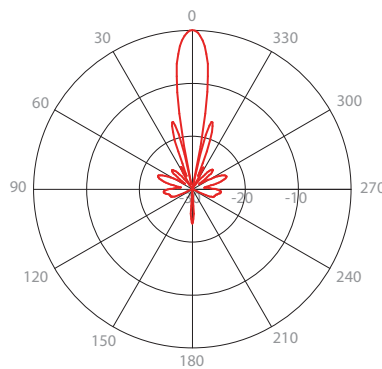
Elevation Pattern H



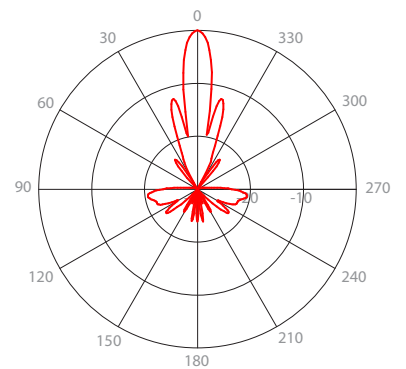
Gain V



Azimuth Pattern V



Elevation Pattern V



PHYSICAL

Antenna Connection	TwistPort™ - Quick Locking Waveguide Port
Antenna Type	Parabolic Dish
Materials	UV Resistant ABS Plastic, Polycarbonate, Aluminium, Stainless Steel
Environmental	IP65
Pole Mounting Diameter	40-80 mm (we recommend as close to 80mm as possible)
Temperature	-40 °C to +60 °C (-40°F to +140°F)
Wind Survival	160 km/hour
Wind Loading	115 N at 160 km/hour
Weight	2.5 Kg / 5.5 lbs – single unit (one antenna) 6.5 Kg / 14.33 lbs – 2PACK (2 units) incl. package
Dimensions	Retail Box 2PACK: 475 x 395 x 170 mm / 18.7 x 15.5 x 6.7 inch

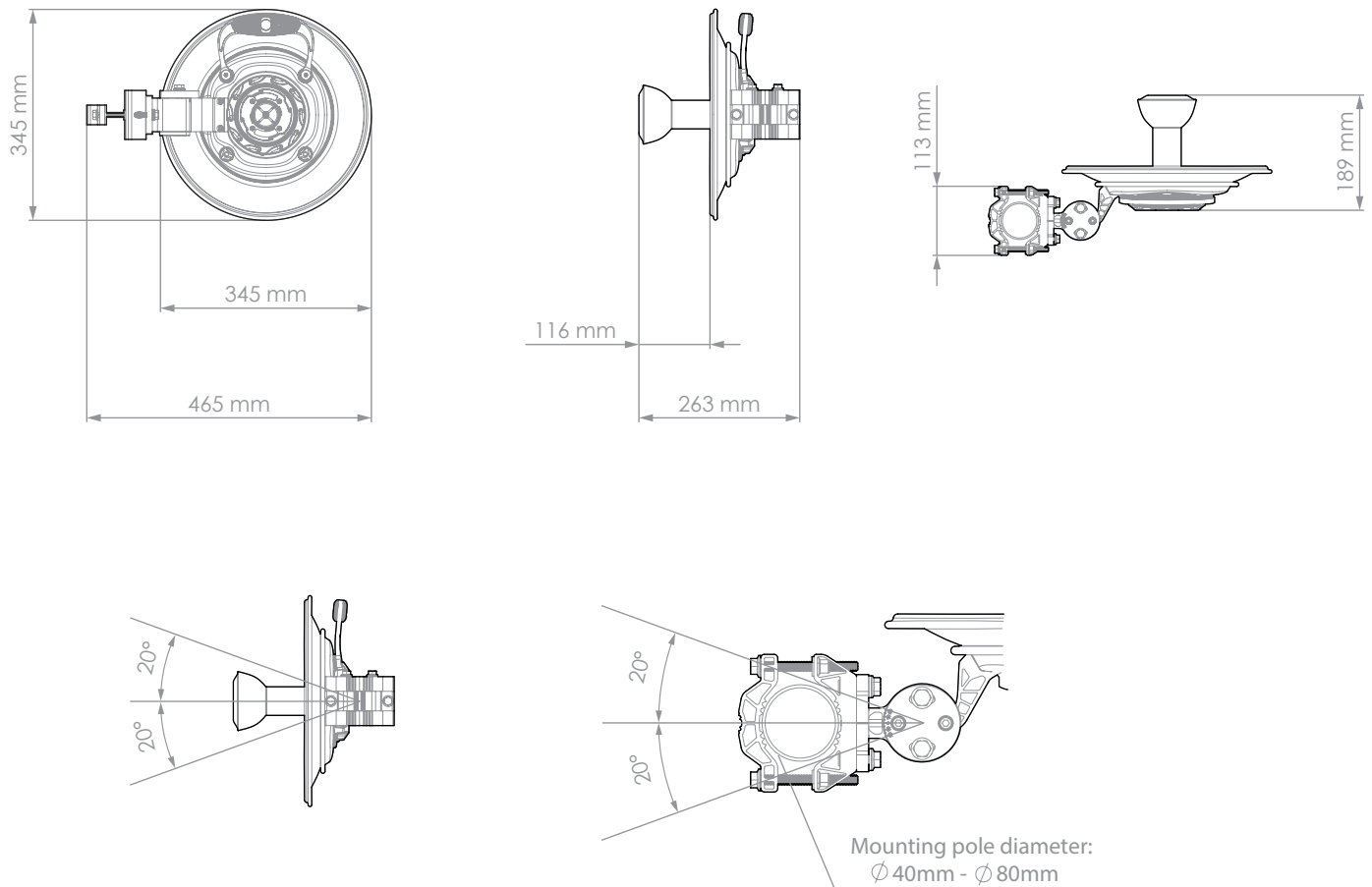
PERFORMANCE

Gain	21.2 dBi
Frequency Range	5180 - 6400 MHz
Azimuth Beam Width -6 dB	H 14° / V 13°
Elevation Beam Width -6 dB	H 13° / V 14°
Azimuth Beam Width -3 dB	H 10° / V 9°
Elevation Beam Width -3 dB	H 9° / V 10°
Beam Efficiency**	30%
Front-to-Back Ratio (Min)	28 dB

COMPATIBLE WIRELESS PLATFORMS

any TwistPort™ Adaptor
any SIMPER™ Radio

PRODUCT DIMENSIONS



**Beam efficiency defined up to first null

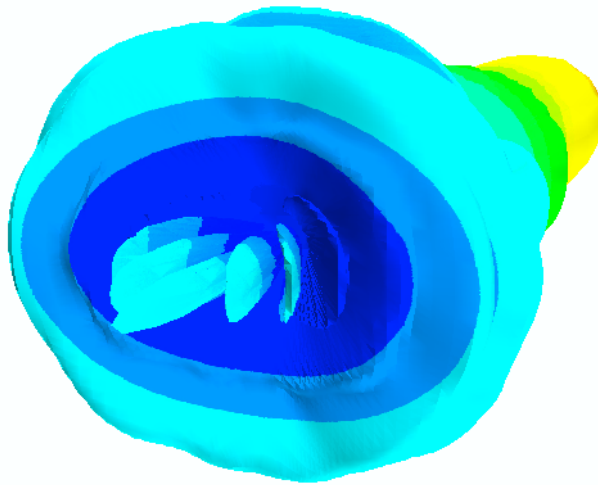
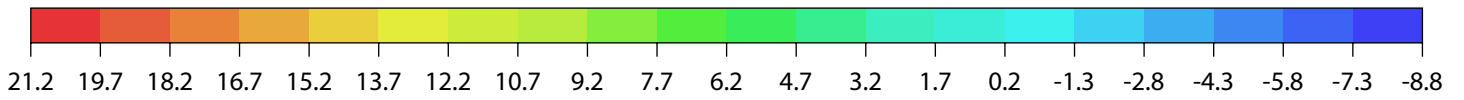
3D RADIATION DIAGRAM

SCALE: 30dBi

COMPATIBLE WITH: ADOBE ACROBAT READER DC. NOT SUPPORTED ON MOBILE.

USE MOUSE TO ROTATE THE DIAGRAM. SCROLL IN/OUT TO ZOOM IN/OUT

dBi



FRONT	BACK	RIGHT	LEFT	UP	DOWN
-------	------	-------	------	----	------