

SPU 512-05 Multiswitch | 5 in 12 | basic-line



- ✓ For up to 12 subscribers
- ✓ Active satellite path, passive terrestrial path
- ✓ Suitable for broadband return path (EoC suitable up to 204 MHz)
- ✓ Suitable for Quad LNB
- ✓ Switching power supply

Order information

Type	SPU 512-05
Order no.	SPU51205
GTIN	7611682135138
PE	1
VE	1
EU customs tariff number	85291095



Technical data

Inputs

Number	5
Frequency range	5 ... 862 MHz 950 ... 2200 MHz
Isolation V H	25 dB
Isolation SAT inputs SAT inputs	30 dB
Isolation TERR SAT	50 dB

Subscriber ports

Number	12
Tap loss TERR	20 dB
Tap loss SAT	10...6 dB
Isolation	35 dB
Max. output level SAT (3rd order SAT EN 50083:3 35dB KMA, 2 sender test method)	90 dBμV

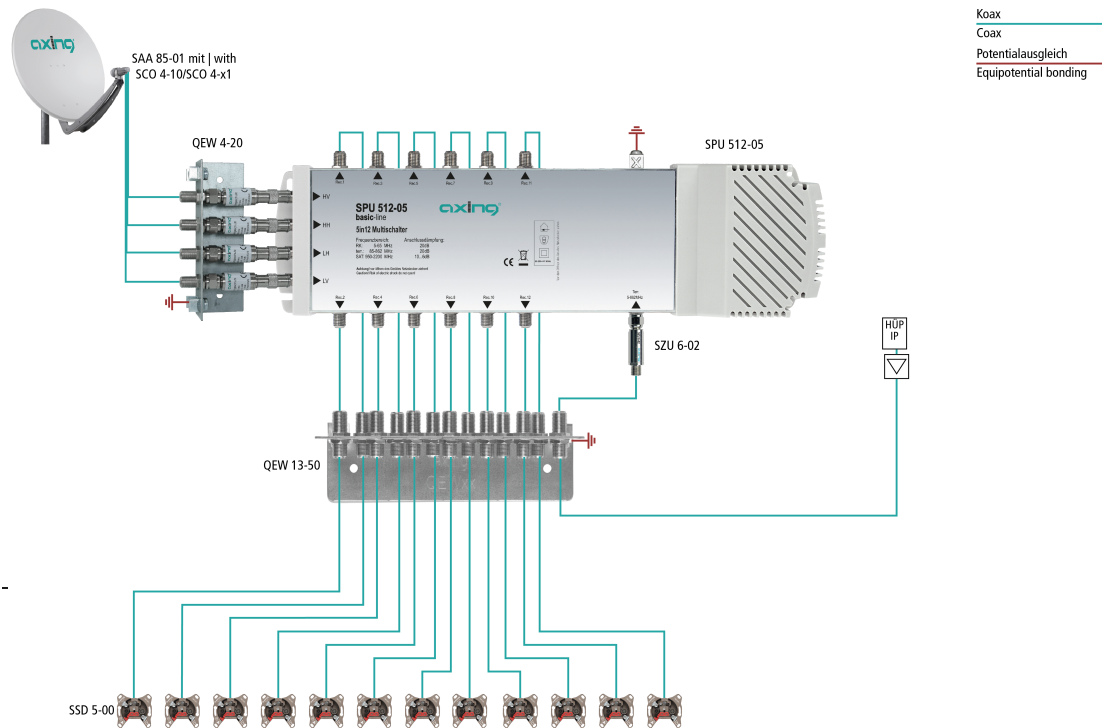
Connectors

Connector type	F
----------------	---

General

Switching power supply	90...250 V~ 47-63 Hz 18 V=0.5 A
Power consumption	5.0 W
Equipotential bonding connection	4 mm ²
Operating temperature range (acc. to EN 60065)	-20...+50°C
Dimensions (W × H × D) appr.	355 × 125 × 50 mm
Weight	0.790 kg
IP code	IP20

Example of use



Suitable products

QEW 4-20 Earthing angle | single-rowed | surge protection