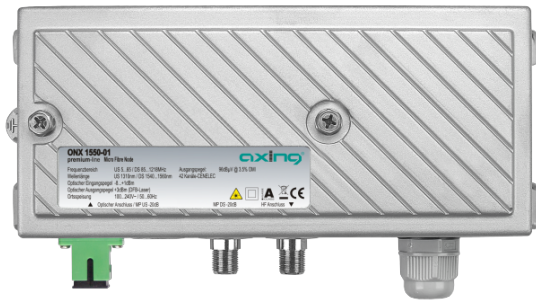


ONX 1550-01 Micro Fibre Node | 1550/1310 nm | 85...1218 MHz/5...65 MHz



- ✓ For FTTH/FTTB applications in RFoG networks
- ✓ Low noise optical receiver
- ✓ Constant RF output level for the wide optical operating range, OLC function
- ✓ Adjustable interstage equalization
- ✓ Adjustable upstream attenuation
- ✓ DFB Laser (CW mode/Burst mode)
- ✓ Local power supply
- ✓ Al-die-cast housing
- ✓ Testports for up- and downstream

Order information

Type	ONX 1550-01
Order no.	ONX155001
GTIN	7611682006841
PE	1
VE	1
EU customs tariff number	85437030

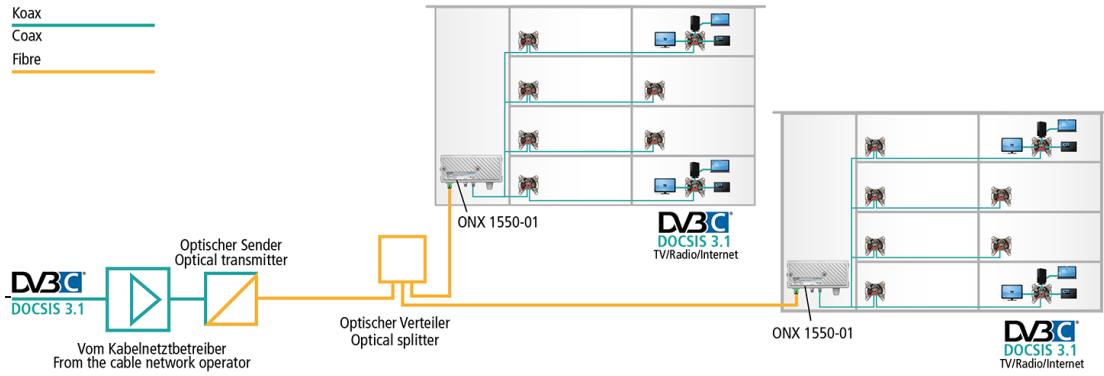


Technical data

Downstream	
Wavelength	1540...1560 nm
Optical input level	-8...+1 dBm
Optical OLC range	0...-6 dBm
Frequency range	85...1218 MHz
Output level @ OMI 3.5% (flat)	96 dBμV
CSO (Cenelec 42, OMI 3.5%)	> 60 dBc
CTB (Cenelec 42, OMI 3.5%)	> 60 dBc
Flatness	±1 dB
Noise current density	7.4 pA/√Hz
Equalization interstage: pluggable with jumpers	0/2/4/6 dB
Return loss	≥ 18 dB (-1.5 dB/Octave)
Test port	-20 dB
Upstream	
Laser type	DFB
Wavelength	1310 nm
Laser mode (switchable)	CW/Burst
Optical output level	+3 ±1 dBm
Laser switch-on time	≤ 1.3 μsec
RF level for laser on off	67 dBμV 58 dBμV
Frequency range	5...65 MHz
OMI @ 75 dBμV US input level	15 %
Flatness	±1 dB
Return loss	≥ 18 dB (-1.5 dB/Octave)
Attenuation: adjustable in 2 dB steps	0...30 dB
Test port	-20 dB
RFoG	
Connector Input	1 × SC/APC
Return loss input	≥ 40 dB
RF connectors	
Type	F-female
General	
Operating voltage	100...240 VAC
Power consumption	6 W
Operating temperature range	0...50 °C

Dimensions (W × H × D) appr.	195 x 90 x 55 mm
Weight	0.750 kg

Example of use



Suitable products

OTX 1550-10 Optical CATV transmitter | 1550 nm | 47 ... 1006 MHz