




SAT IF distribution technologies

Multiswitches and single cable multiswitches for 1, 2, 3 or 4 SAT positions
optical distribution

Wide Band
approved - 2.4 GHz

- 
- A close-up photograph of a green plastic component, likely a part of the SAT IF distribution device. It shows several ports and connectors, including what appears to be a BNC connector and a SMA connector, arranged in a row. The plastic has a textured surface and some small markings.
- ✓ Cascadable
 - ✓ Wide product range
 - ✓ Suitable for multimedia
 - ✓ Single cable acc. to EN 50607, compatible with EN 50494

Always the right solution



Why should a multiswitch system be used?

A multiswitch system offers the end user total flexibility and a maximum choice of TV programs (SDTV / HDTV / 4K-UHD). Multiswitches enable many satellite set-top box users to share a single satellite antenna. Multiswitches can also help to avoid both: many dishes on a building and a lot of unstructured cabling.

When will you use single cable multiswitches?

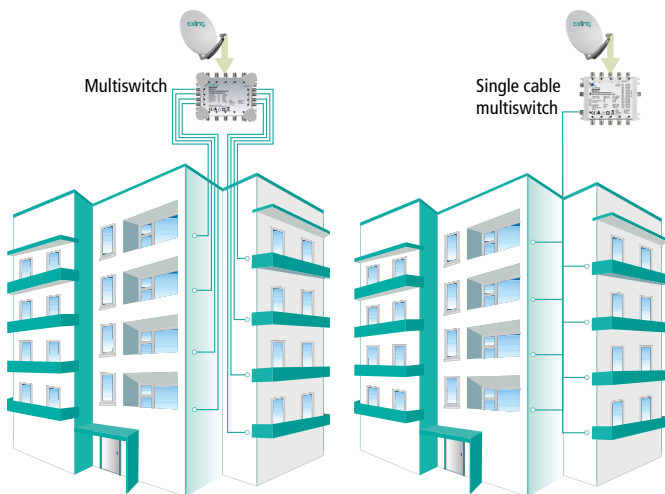
In old buildings, in which a star-shaped installation is not possible, single cable multiswitches will be used. Thus, existing tree-shaped structure can be used for SAT-IF distribution. A single cable multiswitch provides the received programs for up to 32 users.

What's the purpose of a cascadable system?

The cascadable system is suited for big installations with a large number of subscribers. If the subscribers live on different floors it inevitably causes different cable lengths. As a result, the cable lengths to the subscribers can be kept as short as possible. This system is very flexible, which allows to extend it in case more subscribers need to be added.

Optical distribution

The optical transmission technology is used when it comes to transmitting signals over long distances. This kind of distribution is virtually lossless as well as free from noise and distortion. Only one optical fiber cable per satellite position is needed.



- ✓ Only one satellite antenna system left for a large number of subscribers
- ✓ Available for 1, 2, 3 or 4 individual satellite positions with up to 16 individual satellite polarities



- ✓ User-friendly
- ✓ Great variety of programs
- ✓ Television in high quality



- ✓ SDTV/HDTV/4K-UHD digital signal quality at all antenna wall outlets
- ✓ High screening according to Class A

MG 1-00 – DVB-TV Meter Easy to use due to intuitive operationg

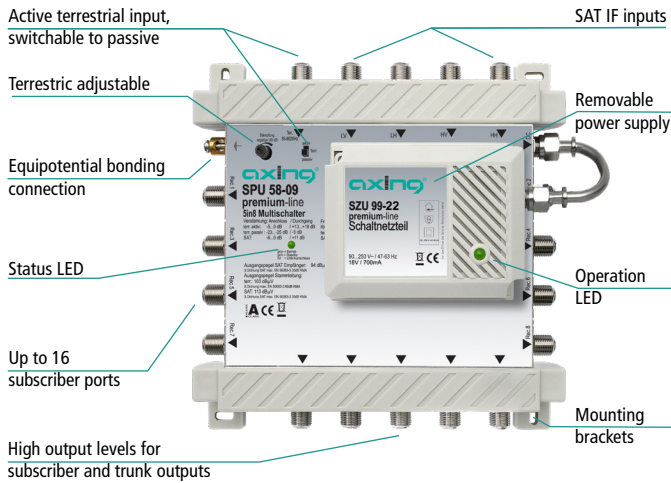


The measuring device MG 1-00 supports the installation and maintenance of coaxial reception systems. It is used for the qualitative measurement of digital terrestrial television channels, satellite systems or cable networks.

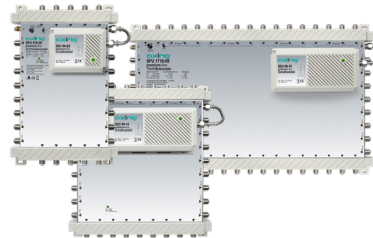
premium-line multiswitches for the highest demands

Highest performance with many subscribers and long cable distances – no problem.

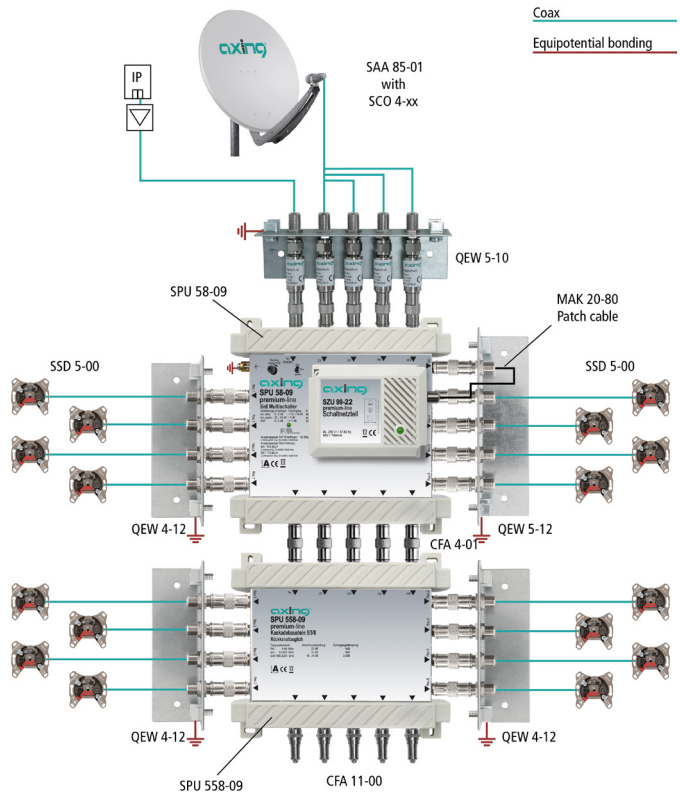
With the complete product portfolio consisting of **premium-line** multiswitches, cascaded multiswitches, amplifiers, splitters, taps and last but not least suiting earthing angles an optimum installation solution can be guaranteed.



- ✓ Great variety of programs
- ✓ Television with high quality
- ✓ SDTV/HDTV/4K-UHD



- ✓ Available for 1, 2, or 4 individual satellite positions
- ✓ For 4, 6, 8, 10, 16 or 18 subscribers



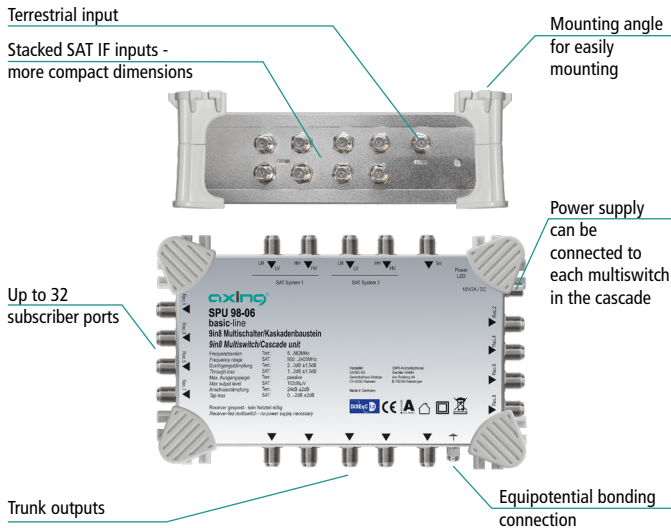
basic-line multiswitches – the alternative



SPU xxx-06: basic-line multiswitches – cascadable

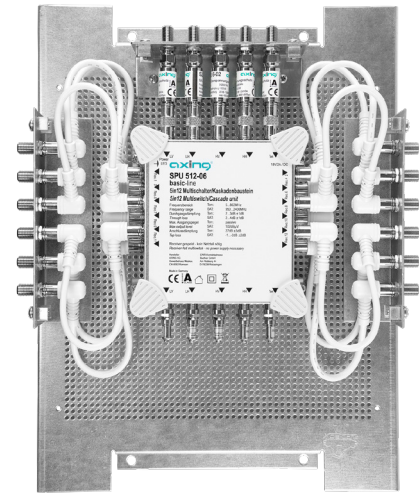
AXING's **basic-line** multiswitches are an inexpensive alternative for SAT-IF distribution. The several devices can be used as stand-alone-versions or in a cascaded system.

Multiswitches for 1, 2, 3, or 4 satellite positions with terrestrial input are available. The devices are offered with 8, 12, 16, 24 or 32 subscriber outputs.



Complete multiswitch packages

The multiswitch packages are completely pre-assembled on a perforated mounting plate. QEW earthing brackets are installed at the inputs and subscriber connections, the inputs are provided with surge protection. The trunk outputs are terminated with DC-decoupled terminating resistors. Equipotential bonding within the package is provided, the perforated mounting plate only needs to be grounded on site.



Multi-switch packages with one satellite position and 8, 12 or 16 subscriber outputs are available by default. Individual multiswitch complete packages can be manufactured on request.

SPU xxx-05: basic-line multiswitches – stand-alone



Power supply:

- ✓ SPU 5xx-06 can be supplied by multiswitch
- ✓ SPU 9xx-06, 13xx-06 and 17xx-06 can be supplied by SZU 99-06 power supply units. They can be connected to the multiswitch or headamplifier
- ✓ Remote power supply within the cascadable system over the SAT IF lines due to a switchable DC pass
- ✓ SPU 5xx-05 with integrated power supply

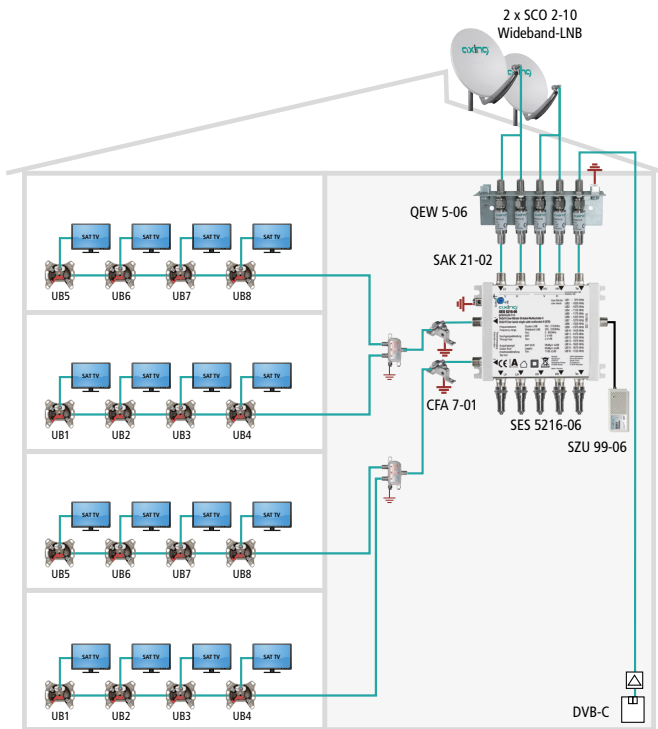
premium-line single cable multiswitches

Continue using installed tree structures

In old or new buildings, where a star-shaped installation is not possible, single cable multiswitches are used. Already installed tree structures can continue to be used.

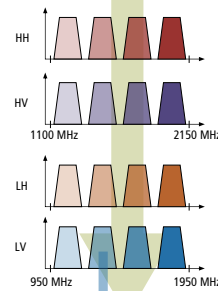


By staggering the **premium-line** single cable multiswitch series, single-cable systems can be set up for small to large residential properties. The individual devices can be used both as stand-alone units and as cascade modules.



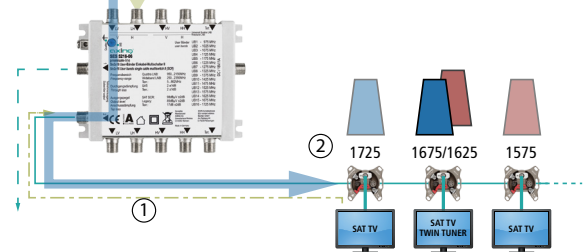
Benefits at a glance:

- ✓ Use of existing coaxial cable structure, no dust, no dirt
- ✓ For small to large buildings
- ✓ Wideband technology
- ✓ Existing lines can be assigned several user bands for single-cable receivers (e.g. for twin receivers)



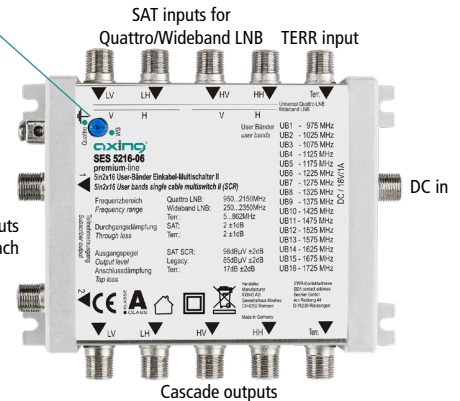
Single cable principle

The receiver uses DiSEqC commands (1) to transmit the level and transponder of the desired programme to the multiswitch. The transponder is then converted to the user band of the receiver (2).



Wideband switch

Subscriber outputs with 16 UB each



Wideband technology

When using a wideband LNB the complete frequency range of one satellite can be transported on two cables within a range from 300 MHz to 2350 MHz. This means only two coaxial cables are needed for one satellite position, which means that a further satellite position can be transmitted.

All AXING single cable multiswitches are wideband capable. This means that either 2 or 4 SAT positions can be received with wideband LNBs.

The connected receivers must be compatible with EN 50607 or EN 50494.

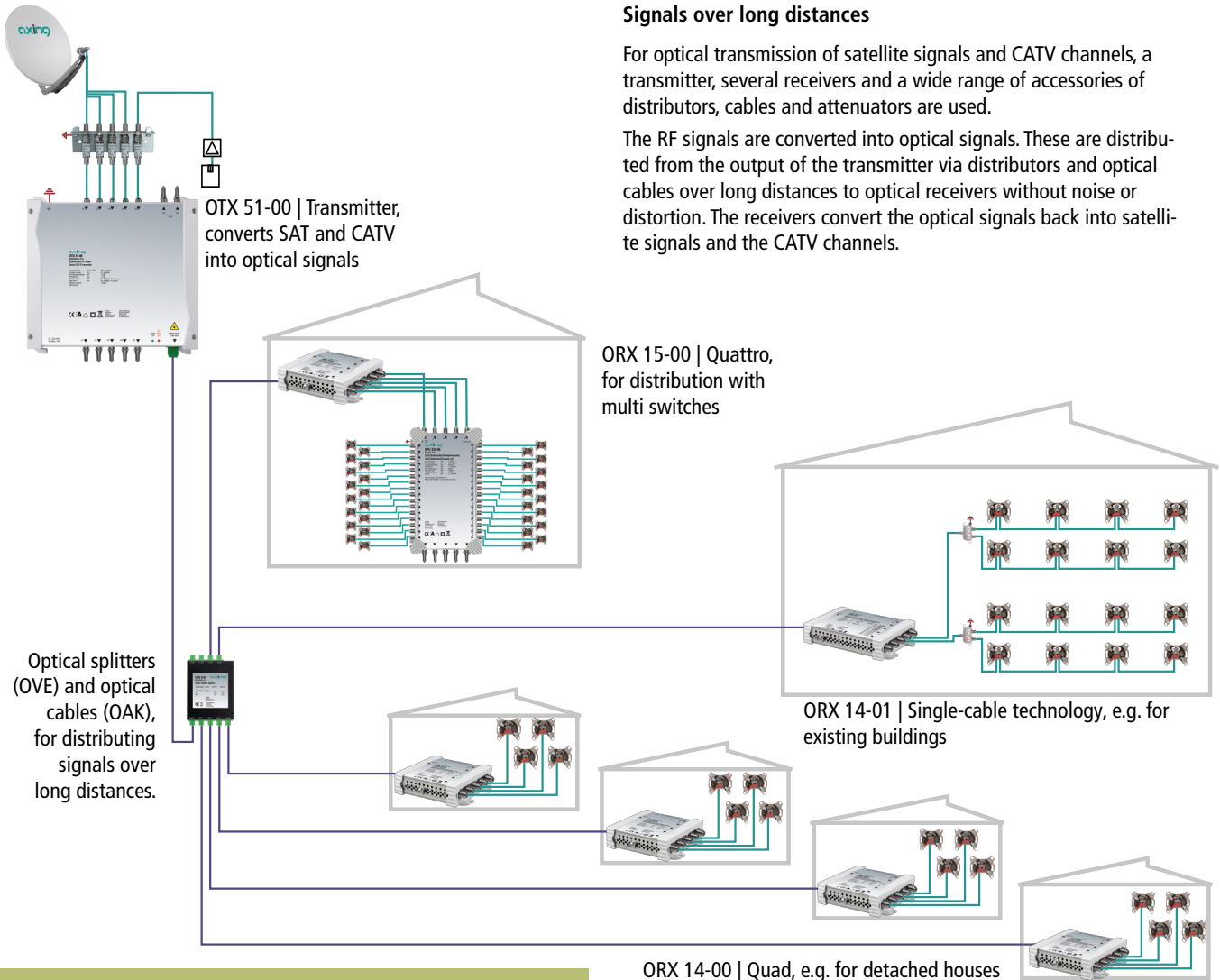
Optical distribution



Signals over long distances

For optical transmission of satellite signals and CATV channels, a transmitter, several receivers and a wide range of accessories of distributors, cables and attenuators are used.

The RF signals are converted into optical signals. These are distributed from the output of the transmitter via distributors and optical cables over long distances to optical receivers without noise or distortion. The receivers convert the optical signals back into satellite signals and the CATV channels.



OTX 51-00 | Transmitter, converts SAT and CATV into optical signals

ORX 15-00 | Quattro, for distribution with multi switches

ORX 14-01 | Single-cable technology, e.g. for existing buildings

ORX 14-00 | Quad, e.g. for detached houses

Optical splitters (OVE) and optical cables (OAK), for distributing signals over long distances.

Benefits at a glance:

- ✓ Almost loss-free as well as noise-, distortion- and interference-free transmission
- ✓ Transmission over long distances, to many buildings and subscribers
- ✓ Easy installation in existing empty conduits
- ✓ Only one fibre optic cable per satellite position



In addition to the optical transmitters and receivers, optical distributors, cables and accessories are available.

Why AXING in particular?

We Swiss don't waste words. But what we do, we do thoroughly. Which is why AXING products are always state of the art. The compact design and easy installation are equally impressive.

What is more, with AXING you have a partner at your side offering you all the services you need as a one-stop provider – from planning via preparation through to delivery and operation. Contact us now; we would be pleased to advise you on site and make you a detailed offer.

Our AXING commitment:

- ✓ Very easy handling and installation of all AXING products
- ✓ Short-term and reliable delivery capability
- ✓ Consistently high quality
- ✓ Highly modern technology – state of the art
- ✓ Great flexibility due to wide variety of products
- ✓ Optimum support via competent planning and installation service
- ✓ Technical service / after sales



AXING AG


Gewerbehäus Moskau

Phone +41 52 - 742 83 00

Fax +41 52 - 742 83 19

AXING-INFO_SAT_EN.pdf | 03.05.2022

Technical improvements, changes in design, printing and other errors reserved.

 8262 Ramsen

info@axing.com

www.axing.com