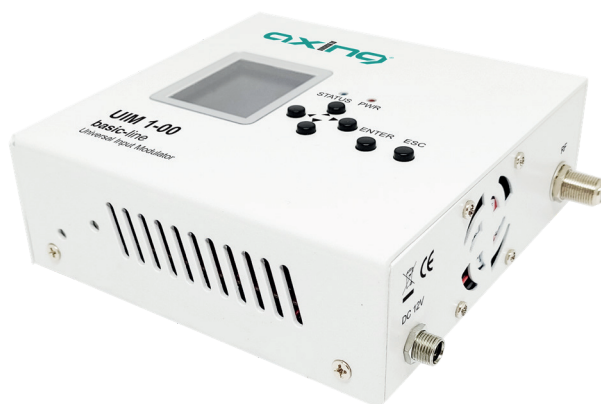


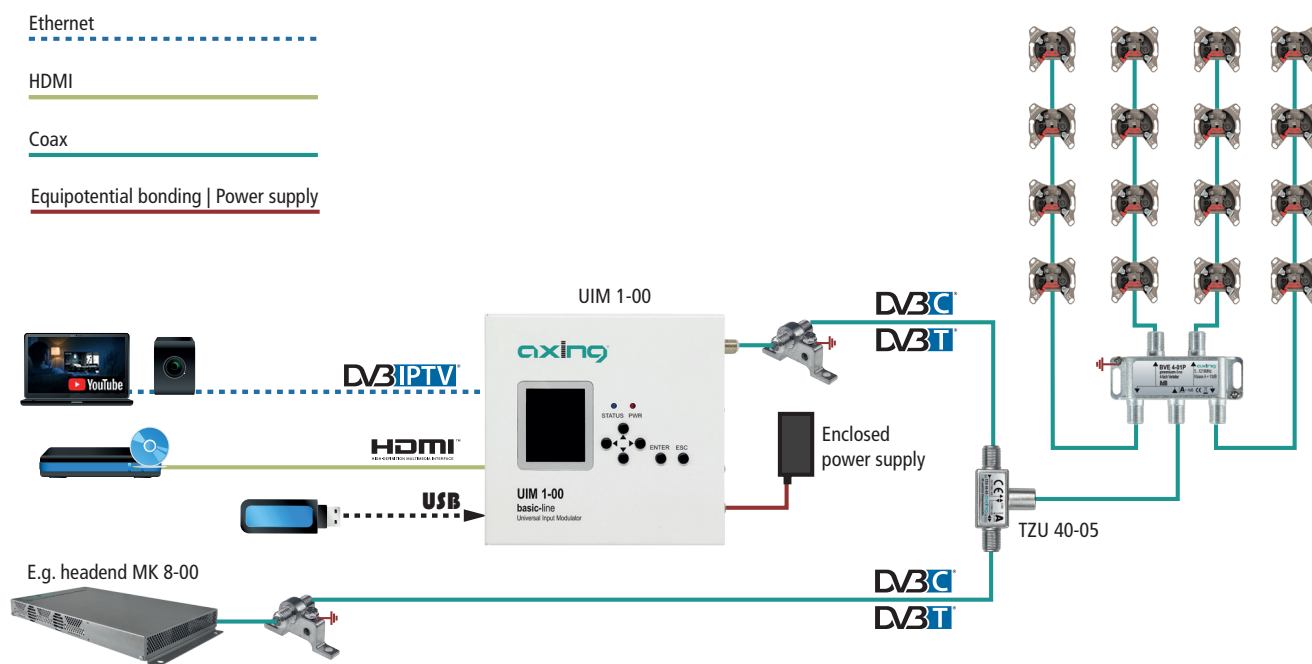
Universal Input Modulator

- ✓ For feeding videos and IP streams into cable networks (DVB-C/DVB-T).
- ✓ Signal feed via HDMI (computer/set-top box/cameras), via Ethernet/Internet (YouTube live streaming or similar IP streams) or USB (AVI, MOV, MPEG etc.)
- ✓ To supplement head-ends, enables a TV channel for information or events (online church services, fitness videos, digital signage)
- ✓ For use in hotels, retirement homes or in the residential housing sector
- ✓ Configuration in the web browser, remote maintenance possible
- ✓ Incl. power supply unit



Available devices:

- UIM 1-00 Universal Input Modulator
- TZU 40-05 RF and EoC inserter



In the example, an info channel is fed into the distribution network of an MK 8-00 headend via a TZU 40-05 HF feed inserter. An HDMI source, a USB stick or an IP source can be used as the input source. The output channels can be provided in DVB-C or DVB-T on the UIM 1-00 and on the MK 8-00. The UIM 1-00 must be configured so that the set output channel does not interfere or overlap with a channel of the MK 8-00 headend.



AXING AG

Gewerbehaus Moskau

Phone +41 52 - 742 83 00

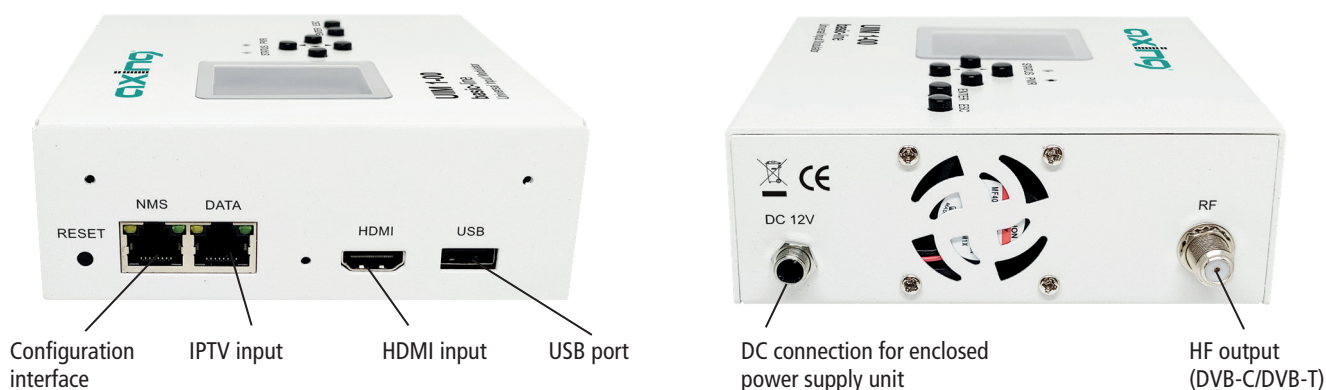
Fax +41 52 - 742 83 19

8262 Ramsen

info@axing.com

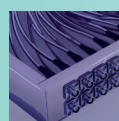
www.axing.com

Connectors



Technical Data

Type	UIM 1-00
Inputs	
Number	1 × IP 1 × HDMI 1 × USB
Inputs	
Supported protocols	PTV: IPv4/v6, TCP, UDP, HTTP, HLS, RTP, RTSP, RTMP, IGMP (Multicast) USB: MPEG-TS, MPEG4, AVI, MOV, MPEG, MKV HDMI: 1080p@60 Hz PCM Stereo
Output	
Number of channels	1 × DVB-C 1 × DVB-T
Frequency range	100 ... 950 MHz
Channels selectable	-
Channel bandwidth	6, 7, 8 MHz
Output level adjustable	70 ... 100 dBμV
Video resolution	1080p @ 60 Hz
Output modulation	
Type	64QAM, 128QAM, 256QAM @ DVB-C QPSK, 16QAM, 64QAM @ DVB-T
Supported output formats	H.264 (MPEG-4)
MER	Typ. 35 dB
FFT	2K, 8K @ DVB-T
FEC	1/2, 3/5, 2/3, 3/4, 5/6, 7/8 @ DVB-T
Guard interval	1/4, 1/8, 1/16, 1/32 @ DVB-T
Symbol rate	5 ... 8 MBauds/s
Interfaces	
IPTV input	1 × RJ45
Compliance IPTV interface	IEEE 802.3, 10/100 Base-T
Configuration interface	1 × RJ45
Compliance configuration interface	IEEE 802.3, 10/100 Base-T
General	
Operating voltage	12 VDC
Current consumption	830 mA
Operating temperature range	5 °C ... 40 °C
Operating humidity (non-condensing)	80% @ 30 °C
Dimensions (W × H × D) appr.	128 × 125 × 44 mm
Weight	0.450 kg
External accessories	
Plug-in power supply	100 ... 240 VAC / 50 ... 60 Hz 12 VDC / 2 A



AXING AG

Gewerbehau Moskau

Phone +41 52 - 742 83 00

Fax +41 52 - 742 83 19

8262 Ramsen

info@axing.com

www.axing.com